

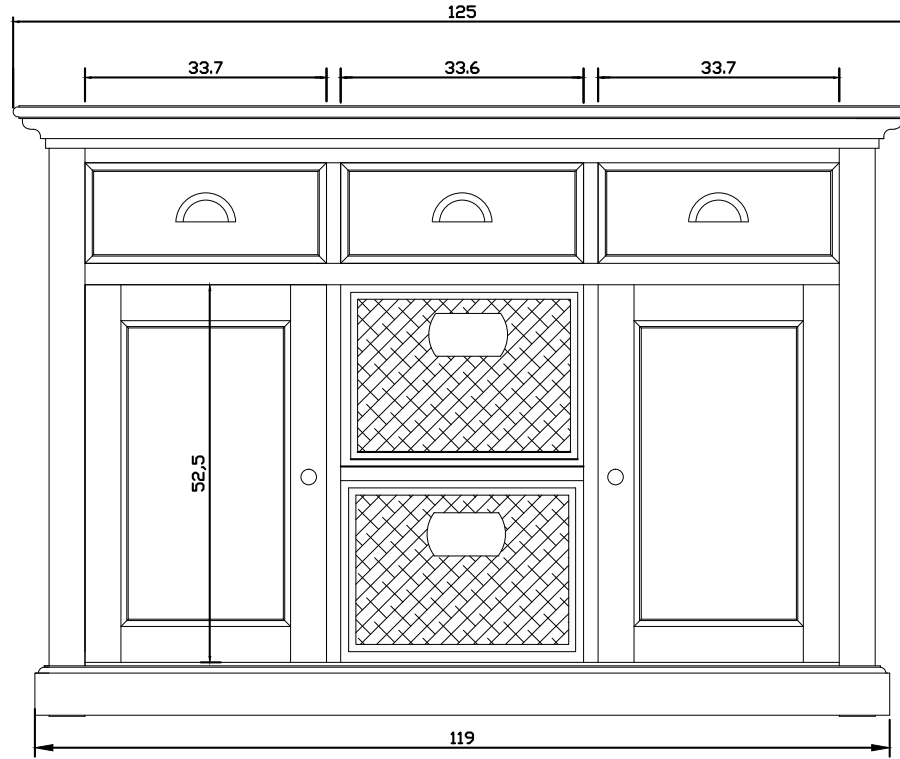
# Technical Drawing

B129

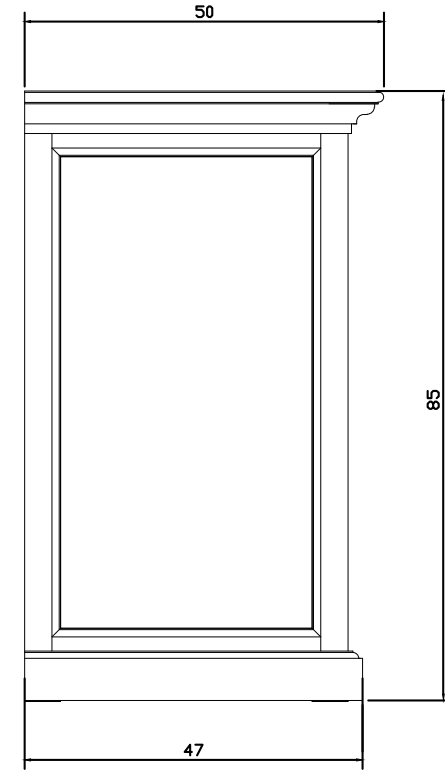
Halifax Buffet with 2 Baskets



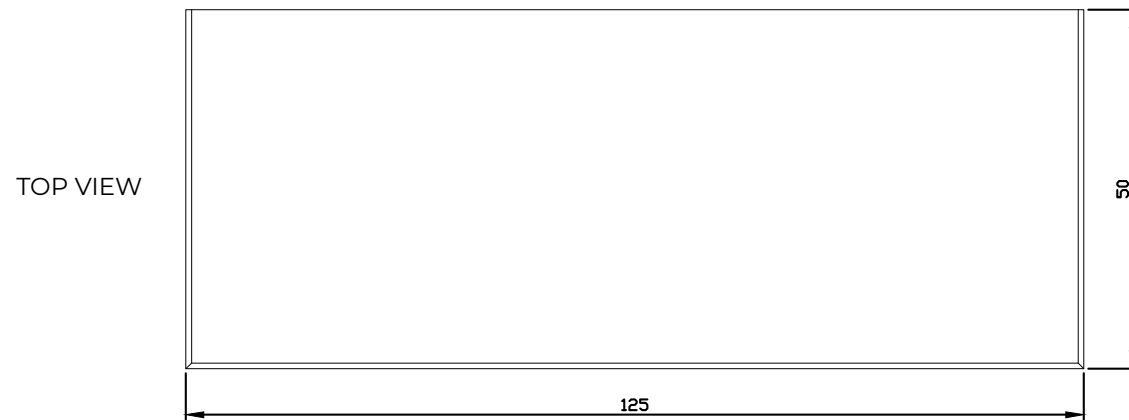
**NOVA  
SOLO**



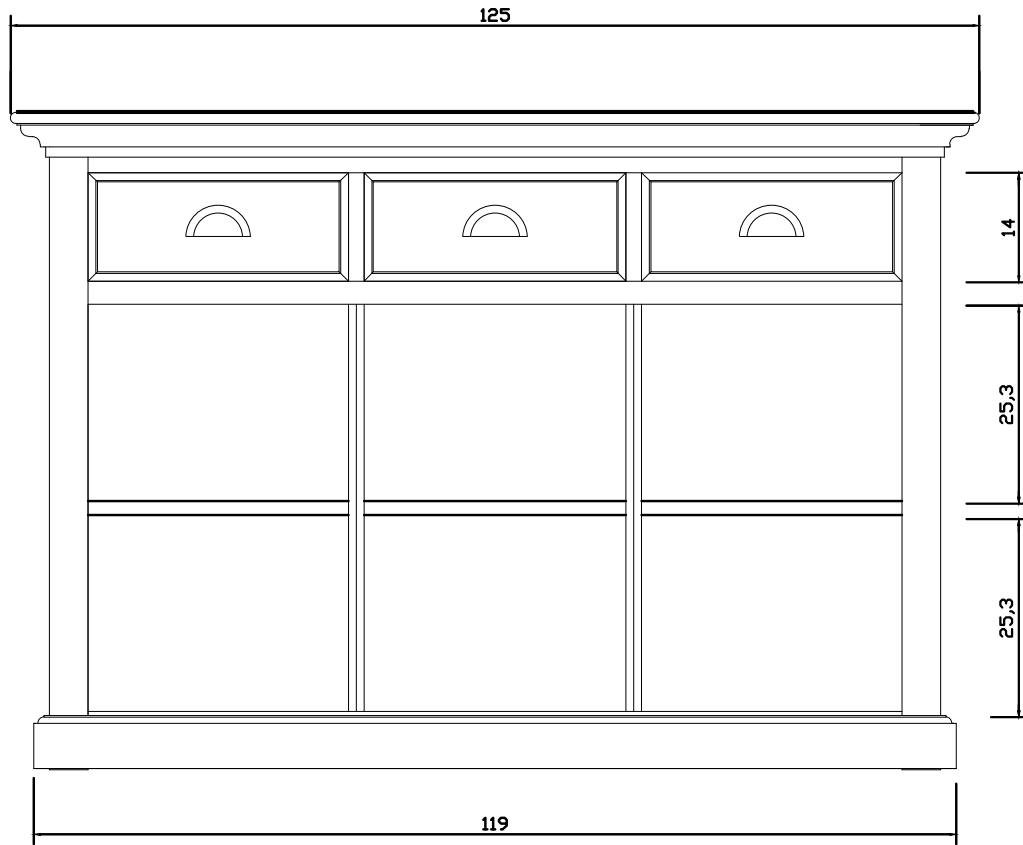
FRONT VIEW



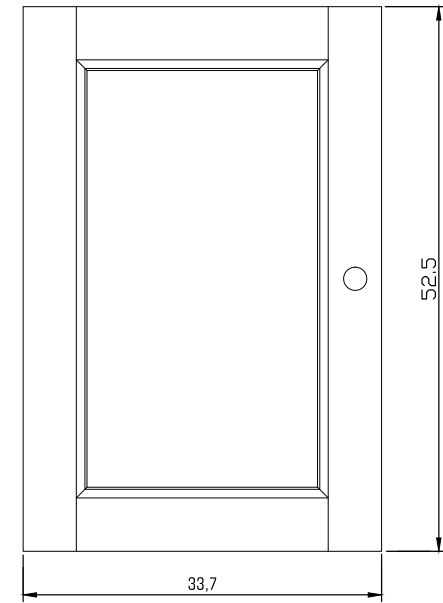
SIDE VIEW



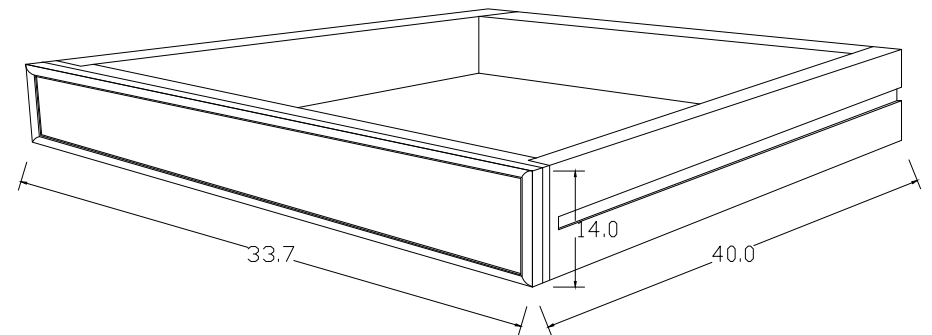
TOP VIEW



FRONT OPEN VIEW



DOOR DETAIL



DRAWER DETAIL